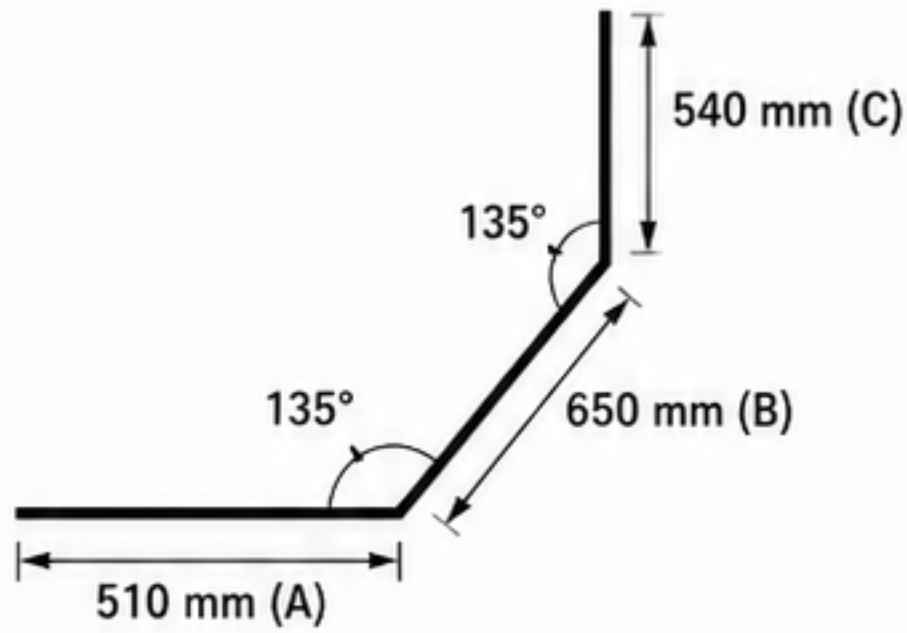


Adheseal

We Have The Solution

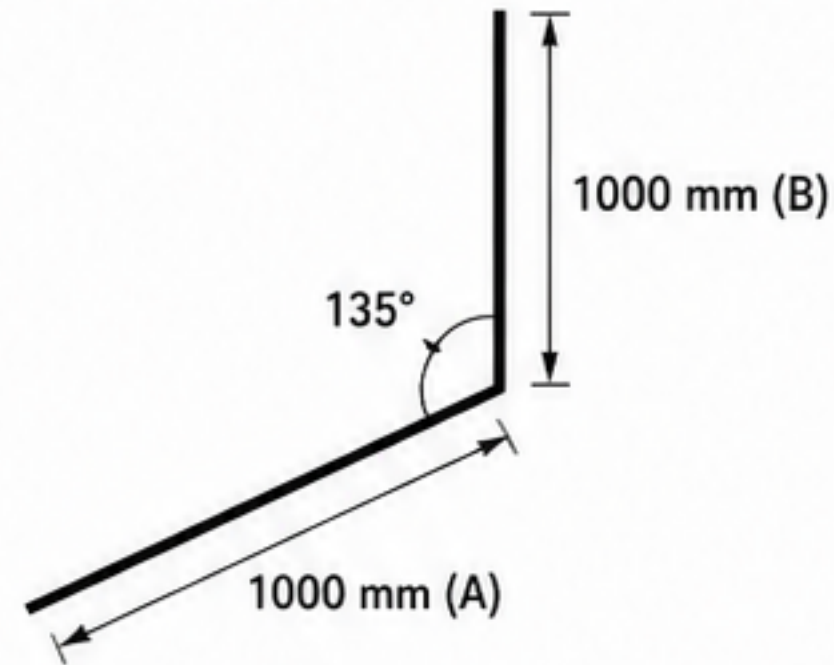
2-LEG AND 3-LEG 135° ORIENTATION GUIDE

1000/3



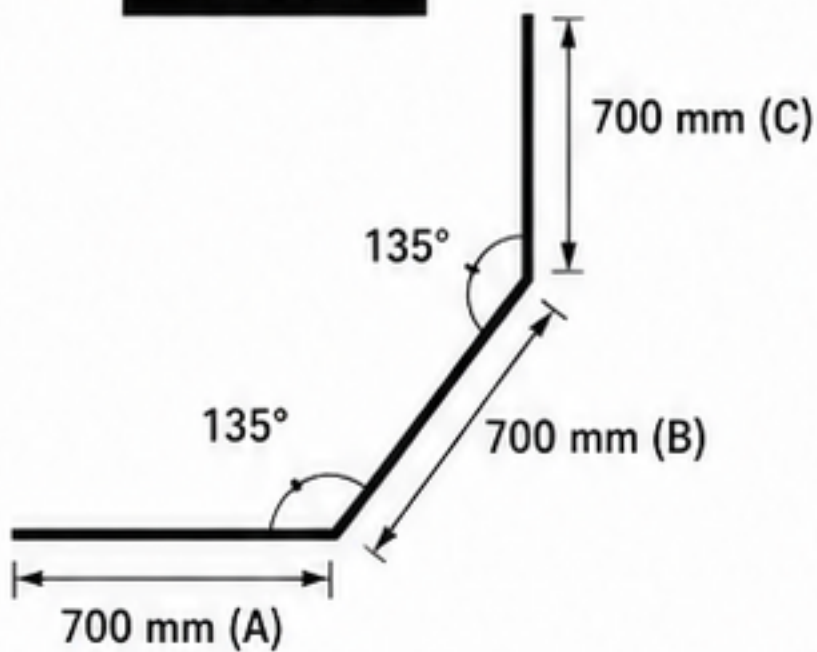
* 1000 | 3

1000 | 2-135



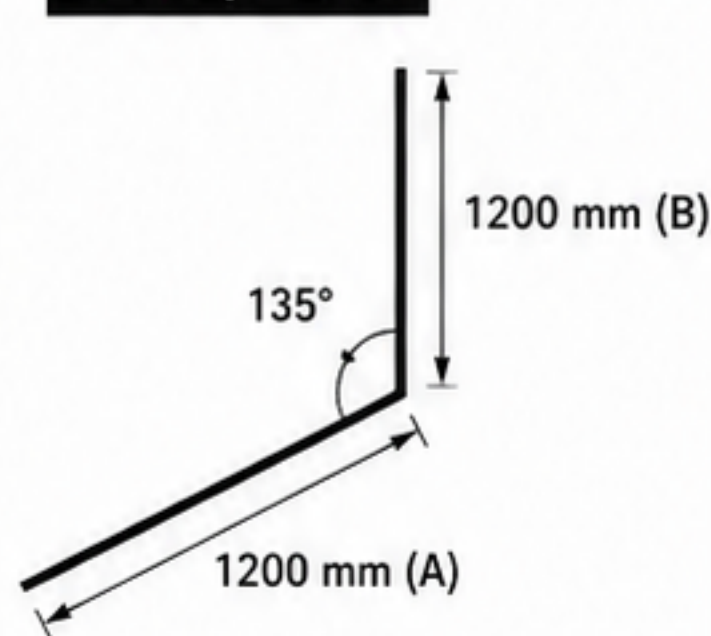
* 1000 | 2-135

1200/3



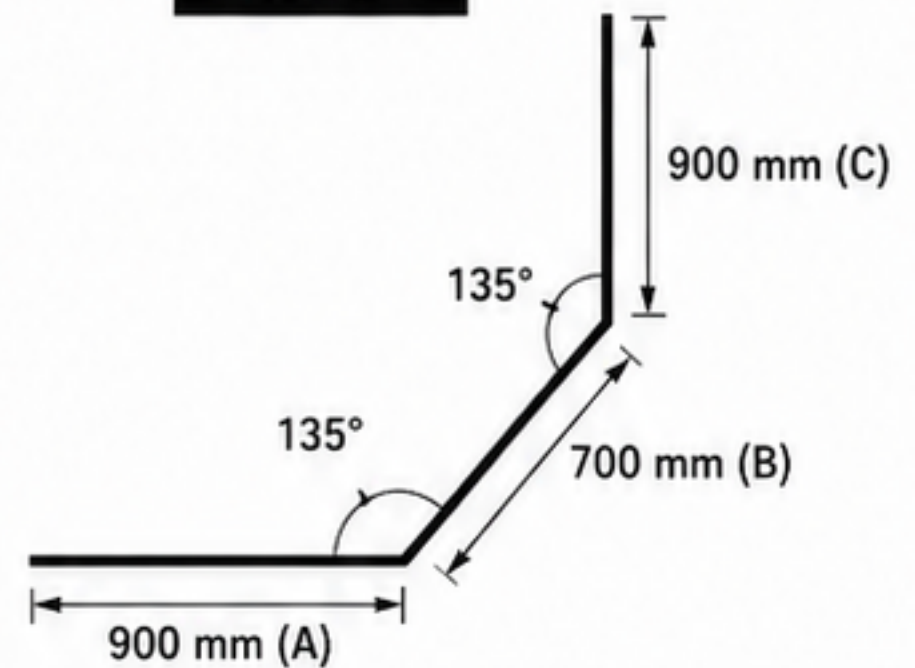
* 1200 | 3

1200 | 2-135



* 1200 | 2-135

1400/3



* 1400 | 3

SIZE CODE	TYPE	LEG A (HORIZONTAL)	LEG B (SLANTED)	LEG C (VERTICAL)
1000/3	3-Leg 135°	510 mm	650 mm	540 mm
1000 2-135	2-Leg 135°	1000 mm	-	1000 mm
1200/3	3-Leg 135°	700 mm	700 mm	700 mm
1200 2-135	2-Leg 135°	1200 mm	-	1200 mm
1400/3	3-Leg 135°	900 mm	700 mm	900 mm

A = Horizontal Leg
B = Slanted Leg
C = Vertical Leg

All dimensions in millimetres (mm).
Drawing not to scale.